

HANDSET OPTIONS



Handset HSM
Controlbox COMPACT with anticollision
standby < = 0,1 W

XXXXX-F1XX-XXXXX-XX



Handset HSU with dial of height
and 4 memory positions
Controlbox COMPACT with anticollision
standby < = 0,1 W

XXXXX-F2XX-XXXXX-XX



Handset TOUCHbasic-DN
Controlbox COMPACT with anticollision
standby < = 0,1 W

XXXXX-F4XX-XXXXX-XX



Handset TOUCHfx with dial of height
and 4 memory positions
Controlbox COMPACT with anticollision
standby < = 0,1 W

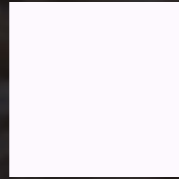
XXXXX-F5XX-XXXXX-XX

COLOURS



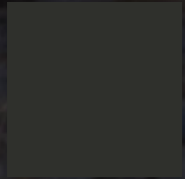
grey metallic
RAL 9006 / 60G

XXXXX-XXXX-XXXXX-01



white
RAL 9016 / 60G

XXXXX-XXXX-XXXXX-03



black
RAL 9005 / 60G

XXXXX-XXXX-XXXXX-02

HON *move*®

HEIGHT ADJUSTABLE FRAMES



VERTEX ERGO
3 - SEGMENT

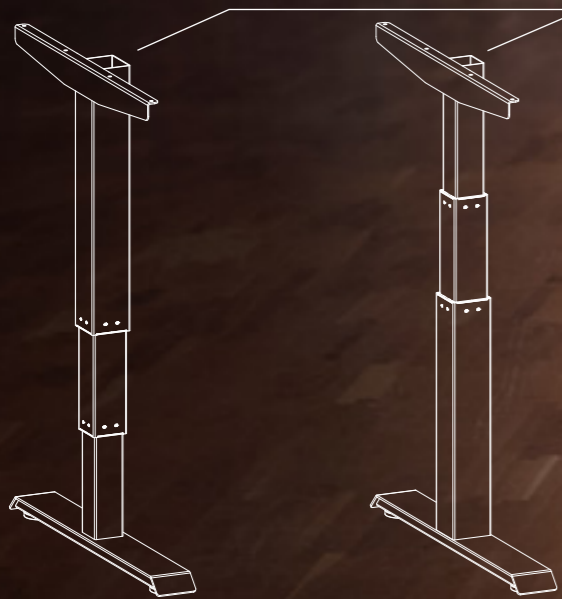
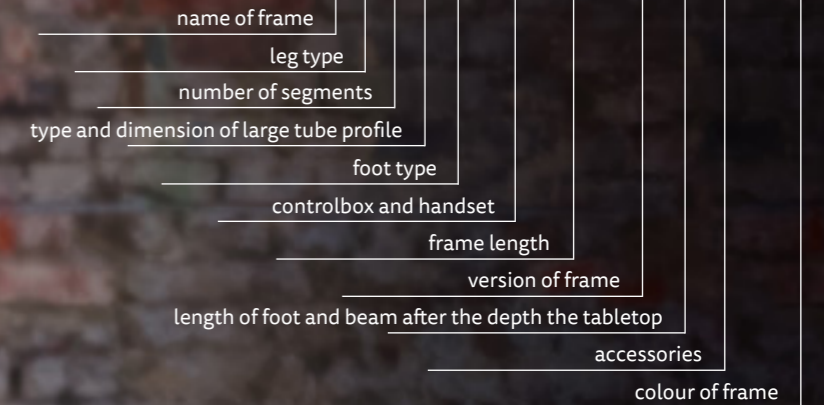
HON *move*®

Height adjustable frame
VERTEX ERGO
3 - segment, multimotor

TECHNICAL SPECIFICATION:

Adjustable width W1 (with desktop): **1500 - 2000 mm**
 Adjustable width W2 (with desktop): **1200 - 1600 mm**
 Depth D (with desktop): **600 - 800 mm**
 Adjustable height H (without desktop): **620 - 1280 mm**
 Frame only C-design
 Profile tube: **80 x 80 / 70 x 70 / 60 x 60 mm**
 Maximum load capacity (desktop included): **120 kg**
 Time load capacity: **10 % , max. 2 min. / 18 min.**
 Lifting time: **35 mm / s**
 Warranty: **5 years**

VX3BX-FX05-01303-XX



Vertex type 1
 large tube on top
V13BX-XXXX-XXXXX-XX

Vertex type 2
 small tube on top
V23BX-XXXX-XXXXX-XX



INFORMATION FOR LOADING:
 Weight (without desktop): **50 kg**
 1. Package dimensions: **1195 x 265 x 265 mm**
 2. Package dimensions: **1195 x 265 x 115 mm**
 1 europalette = **24 pcs. (12 tables) = 625 kg**



Foot V1 XXXX1-XXXX-XXXXX-XX



Foot V2 XXXX2-XXXX-XXXXX-XX



Foot V3 XXXX3-XXXX-XXXXX-XX



Foot V4 XXXX4-XXXX-XXXXX-XX



Foot V5 XXXX5-XXXX-XXXXX-XX